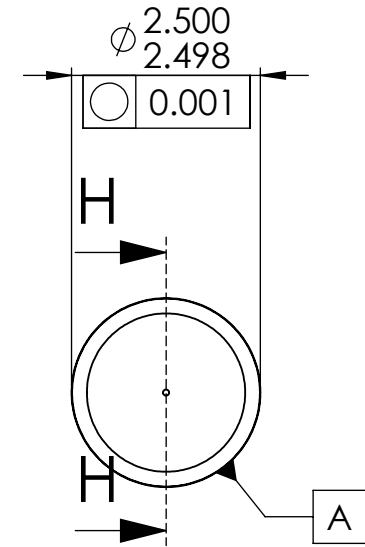
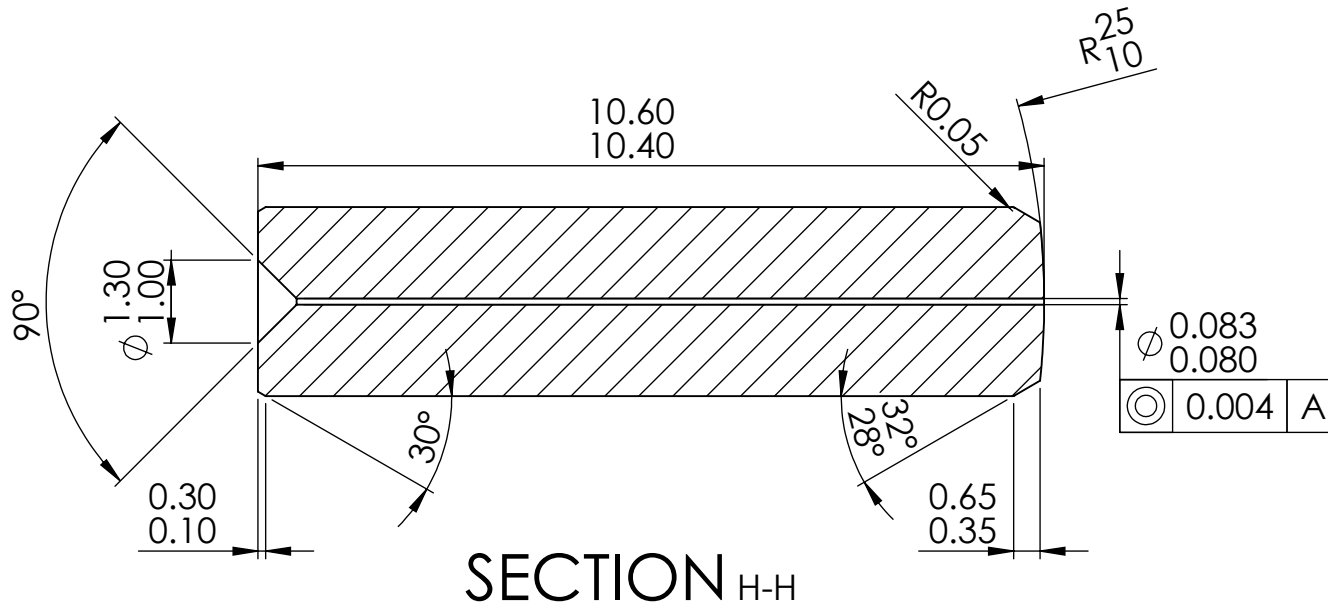



REVISIONS			
REV.	DESCRIPTION	DATE	APPROVED
A	Created in solidworks	4/16/2012	
B	Changed cc tolerance from 0.001 to 0.004	4/16/2012	



Notes:

<b>Microlap Technologies Inc.</b>  213 1st ST NW - POBOX 280 Rolla, ND 58367 701-477-3193(P) - 701-477-6579 (F) WWW.microlap.com	Dimensions are all in mm		DWG. NO.	MT2065	
	DRAWN: MJA 4/13/2012 CHECKED: BW 4/17/2012 MFG APPR.: JL 4/16/2012 Q.A.: SG 4/16/2012	NAME: MJA DATE: 4/13/2012	DWG. Name: MT2065		
PROPRIETARY AND CONFIDENTIAL <small>This drawing and the information contained in the specifications are the exclusive and proprietary property of Microlap Technologies, Inc. This information and materials shall not be disclosed, divulged, reproduced, copied or used in any manner without the express written authorization of Microlap Technologies, Inc. All copies, reproductions, or other duplications of any portion of this information or materials shall include this legend.</small>	MATERIAL Zirconia FINISH 0.2 micrometers or better	SIZE A	Description: Ferrule	REV. B	
DO NOT SCALE DRAWING	SCALE:10:1	WEIGHT:	SHEET 1 OF 1		