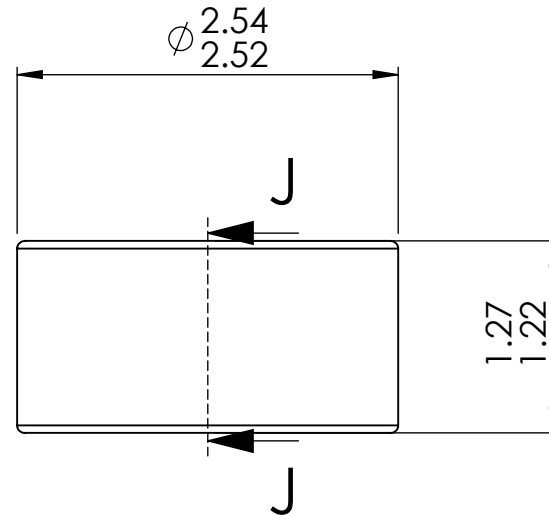


SECTION J-J



Notes:

DWG. NO. **MT3505**

DWG. Name. **MT3505**

SIZE <b>A</b>	Description: <b>CUP JEWEL</b>	REV. <b>A</b>
------------------	----------------------------------	------------------

**Microlap Technologies Inc.**



213 1st ST NW - POBOX 280  
Rolla, ND 58367  
701-477-3193(P) - 701-477-6579 (F)  
WWW.microlap.com

FINISH:  
Cup Flat: 0.1 micrometers  
Cup: 0.0125 micrometers  
OD & Flat: Ground

MATERIAL: **Sapphire**

Dimensions are all in mm

	NAME	DATE
DRAWN	CA	5/1/2017
CHECKED	DG	5/12/2017
MFG APPR.	JL	6/1/2017
Q.A.	SG	5/9/2017

**PROPRIETARY AND CONFIDENTIAL**

This drawing and the information contained in the specifications are the exclusive and proprietary property of Microlap Technologies, Inc. This information and materials shall not be disclosed, divulged, reproduced, copied or used in any manner without the express written authorization of Microlap Technologies, Inc. All copies, reproductions, or other duplications of any portion of this information or materials shall include this legend.

SCALE:20:1	DO NOT SCALE DRAWING	SHEET 1 OF 1
------------	----------------------	--------------