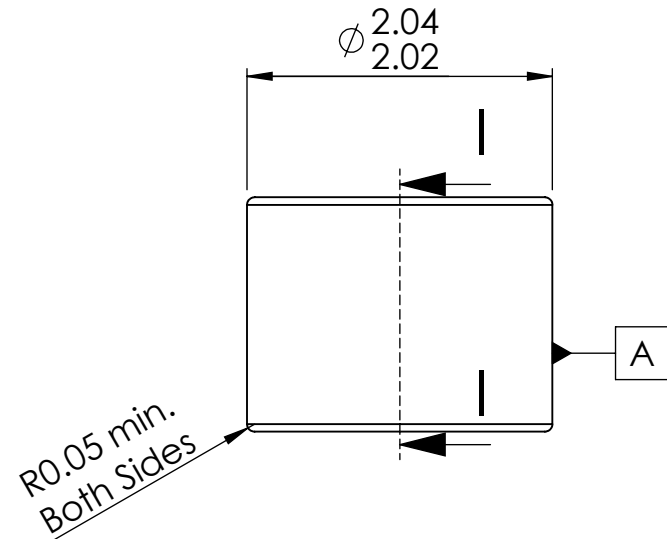


SECTION I-I



Notes:

1. Lower half of vee and radius to be free of defects visible with 30X magnification.

DWG. NO. M4001

DWG. Name. MT4001

FINISH:
Vee & vee side flat: 0.1 micrometers
All other surfaces: 0.8 micrometers

SIZE A	Description: Vee Jewel	REV. A
-----------	---------------------------	-----------

Microlap Technologies Inc.

MATERIAL: Sapphire

213 1st ST NW - POBOX 280
Rolla, ND 58367
701-477-3193(P) - 701-477-6579 (F)
WWW.microlap.com

Dimensions are all in mm		
	NAME	DATE
DRAWN	CS	8/20/2015
CHECKED	BW	5/23/2012
MFG APPR.	JL	5/12/2012
Q.A.	SG	5/23/2012

PROPRIETARY AND CONFIDENTIAL

This drawing and the information contained in the specifications are the exclusive and proprietary property of Microlap Technologies, Inc. This information and materials shall not be disclosed, divulged, reproduced, copied or used in any manner without the express written authorization of Microlap Technologies, Inc. All copies, reproductions, or other duplications of any portion of this information or materials shall include this legend.

SCALE:20:1	DO NOT SCALE DRAWING	SHEET 1 OF 1
------------	----------------------	--------------