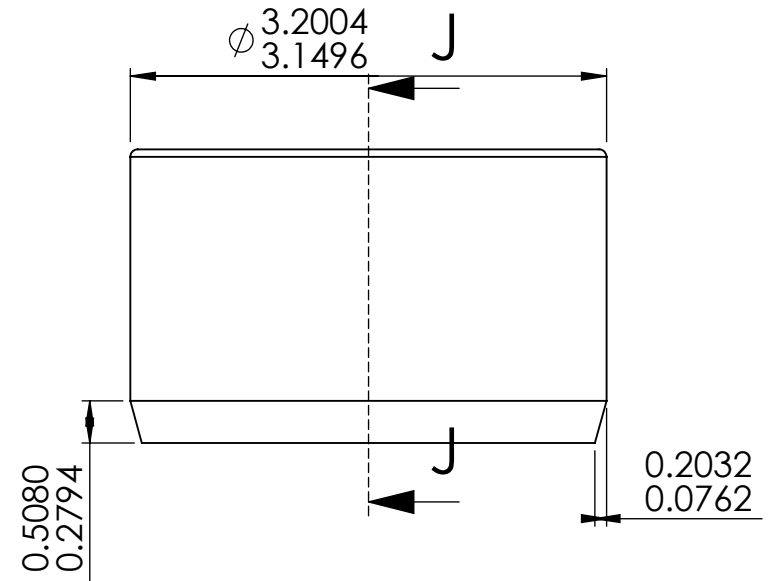



SECTION J-J



Notes:

- Lower half of vee and radius to be free of defects visibal with 30X magnification.

Microlap Technologies Inc.		Dimensions are all in mm		DWG. NO.	MT4017
		NAME	DATE	DWG. Name.	
 <p>213 1st ST NW - POBOX 280 Rolla, ND 58367 701-477-3193(P) - 701-477-6579 (F) www.microlap.com</p>		DRAWN	MJA	4/3/2013	<p>MT4017</p>
		CHECKED	DG	4/15/2013	
		MFG APPR.	JL	4/12/2013	
		Q.A.	SG	4/15/2013	
<p>PROPRIETARY AND CONFIDENTIAL</p> <p>This drawing and the information contained in the specifications are the exclusive and proprietary property of Microlap Technologies, Inc. This information and materials shall not be disclosed, divulged, reproduced, copied or used in any manner without the express written authorization of Microlap Technologies, Inc. All copies, reproductions, or other duplications of any portion of this information or materials shall include this legend.</p>		MATERIAL Sapphire		SIZE	Description:
		FINISH Vee & vee side flat: 0.1 micrometers All other surfaces: 0.8 micrometers		A	Vee Jewel
DO NOT SCALE DRAWING		SCALE:20:1	WEIGHT:	SHEET 1 OF 1	