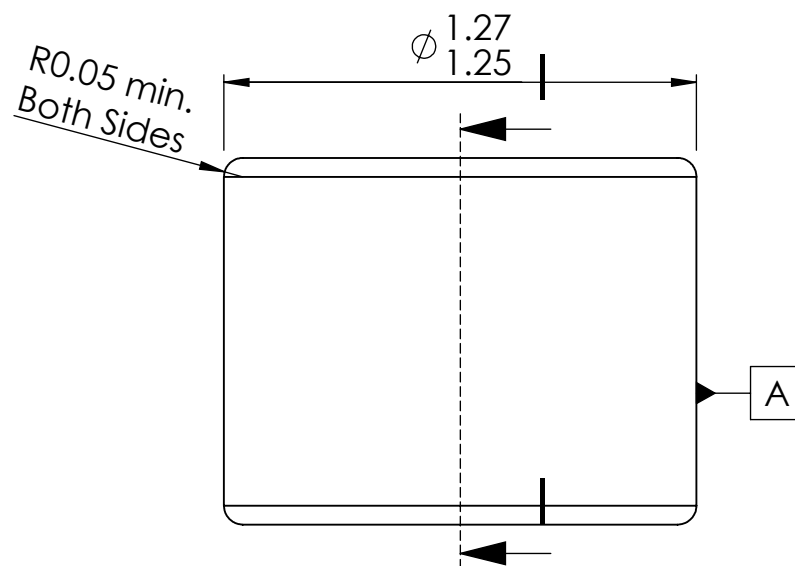


SECTION I-I



Notes:

1. Lower half of vee and radius to be free of defects visible with 30X magnification.

DWG. NO. MT4024

DWG. Name. MT4024

|      |              |      |
|------|--------------|------|
| SIZE | Description: | REV. |
| A    | Vee Jewel    | A    |

Microlap Technologies Inc.

213 1st ST NW - POBOX 280  
Rolla, ND 58367  
701-477-3193(P) - 701-477-6579 (F)  
WWW.microlap.com

FINISH:  
Vee & vee side flat: 0.1 micrometers  
All other surfaces: 0.8 micrometers

MATERIAL: Sapphire

| Dimensions are all in mm |      |           |
|--------------------------|------|-----------|
|                          | NAME | DATE      |
| DRAWN                    | MJA  | 4/27/2012 |
| CHECKED                  | BW   | 5/23/2012 |
| MFG APPR.                | JL   | 5/12/2012 |
| Q.A.                     | SG   | 5/23/2012 |

**PROPRIETARY AND CONFIDENTIAL**

This drawing and the information contained in the specifications are the exclusive and proprietary property of Microlap Technologies, Inc. This information and materials shall not be disclosed, divulged, reproduced, copied or used in any manner without the express written authorization of Microlap Technologies, Inc. All copies, reproductions, or other duplications of any portion of this information or materials shall include this legend.

|            |                      |              |
|------------|----------------------|--------------|
| SCALE:50:1 | DO NOT SCALE DRAWING | SHEET 1 OF 1 |
|------------|----------------------|--------------|