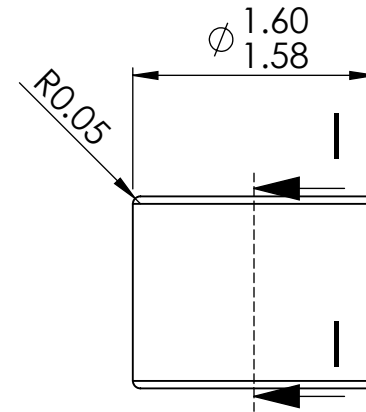


SECTION I-I



Notes:

DWG. NO. MT4031

DWG. Name. MT4031

FINISH:  
Face & Radius: 0.1 micrometers  
Balance as machined

SIZE A	Description: Vee Jewel	REV. A
-----------	---------------------------	-----------

**Microlap Technologies Inc.**

MATERIAL: Sapphire



Dimensions are all in mm		
	NAME	DATE
DRAWN	CS	2/3/2015
CHECKED	DG	2/3/2015
MFG APPR.	JL	2/3/2015
Q.A.	SG	2/3/2015

**PROPRIETARY AND CONFIDENTIAL**  
This drawing and the information contained in the specifications are the exclusive and proprietary property of Microlap Technologies, Inc. This information and materials shall not be disclosed, divulged, reproduced, copied or used in any manner without the express written authorization of Microlap Technologies, Inc. All copies, reproductions, or other duplications of any portion of this information or materials shall include this legend.

SCALE:20:1	DO NOT SCALE DRAWING	SHEET 1 OF 1
------------	----------------------	--------------