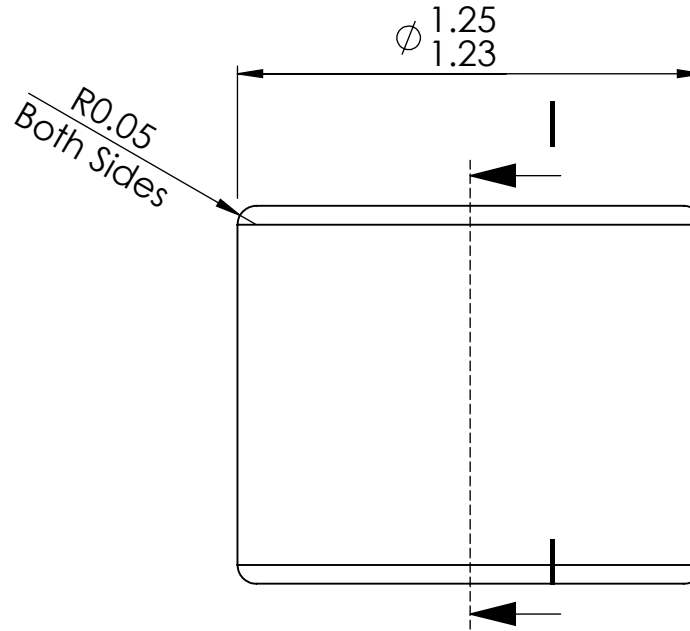


SECTION I-I



Notes:

- 1.) Concentricity of vee cavity to outside dia. .05 T.I.R.
- 2.) Vee to be inspected to .0125 RA. no defects allowed

DWG. NO. **MT4048**

DWG. Name. **MT4048**

SIZE A	Description: Vee Jewel	REV. A
------------------	----------------------------------	------------------

Microlap Technologies Inc.



213 1st ST NW - POBOX 280
Rolla, ND 58367
701-477-3193(P) - 701-477-6579 (F)
WWW.microlap.com

FINISH:
**Face & Radius: 0.1 micrometers
Balance as machined**

MATERIAL: **Sapphire**

Dimensions are all in mm

	NAME	DATE
DRAWN	CS	6/16/2015
CHECKED	DG	2/23/2015
MFG APPR.	JL	2/23/2015
Q.A.	SG	2/24/2015

PROPRIETARY AND CONFIDENTIAL

This drawing and the information contained in the specifications are the exclusive and proprietary property of Microlap Technologies, Inc. This information and materials shall not be disclosed, divulged, reproduced, copied or used in any manner without the express written authorization of Microlap Technologies, Inc. All copies, reproductions, or other duplications of any portion of this information or materials shall include this legend.

SCALE:50:1	DO NOT SCALE DRAWING	SHEET 1 OF 1
------------	----------------------	--------------