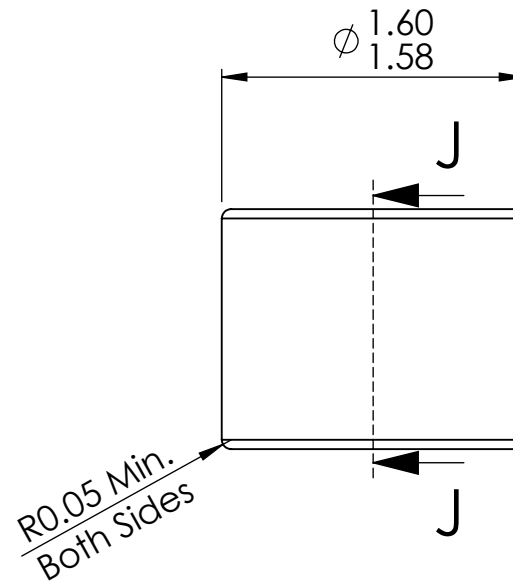


SECTION J-J



Notes:

DWG. NO. MT4053

DWG. Name. MT4053

SIZE	Description:	REV.
A	Vee Jewel	A

Microlap Technologies Inc.



213 1st ST NW - POBOX 280
Rolla, ND 58367
701-477-3193(P) - 701-477-6579 (F)
WWW.microlap.com

FINISH:
Vee & vee side flat: 0.1 micrometers
All other surfaces: 0.8 micrometers

MATERIAL: SAPPHIRE

Dimensions are all in mm

	NAME	DATE
DRAWN	CA	11/1/2017
CHECKED	DG	11/2/2017
MFG APPR.	JL	11/2/2017
Q.A.	DA	11/22/2017

PROPRIETARY AND CONFIDENTIAL
This drawing and the information contained in the specifications are the exclusive and proprietary property of Microlap Technologies, Inc. This information and materials shall not be disclosed, divulged, reproduced, copied or used in any manner without the express written authorization of Microlap Technologies, Inc. All copies, reproductions, or other duplications of any portion of this information or materials shall include this legend.

SCALE:25:1	DO NOT SCALE DRAWING	SHEET 1 OF 1
------------	----------------------	--------------