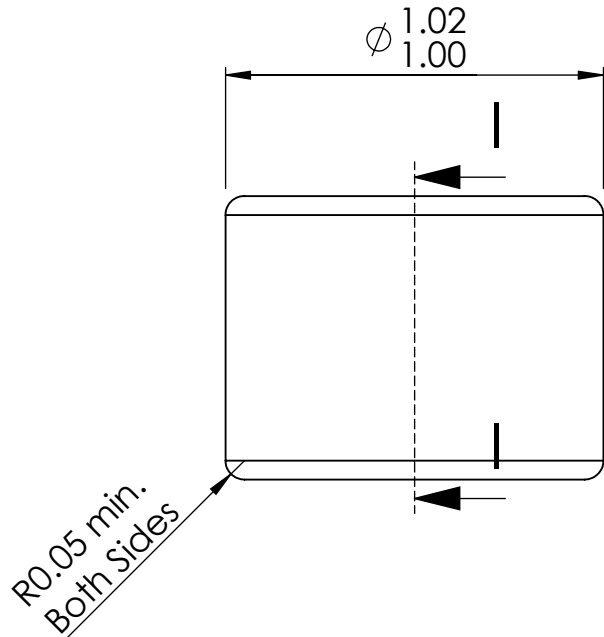


SECTION I-I



Notes:
 1. Lower half of vee to be free of defects visibal with 30X magnification.

DWG. NO. MT4055

DWG. Name. MT4055

SIZE	Description:	REV.
A	Vee Jewel	A

Microlap Technologies Inc.



213 1st ST NW - POBOX 280
 Rolla, ND 58367
 701-477-3193(P) - 701-477-6579 (F)
 WWW.microlap.com

FINISH:
 Vee & vee side flat: 0.1 micrometers
 All other surfaces: 0.8 micrometers

MATERIAL: Sapphire

Dimensions are all in mm		
	NAME	DATE
DRAWN	MJA	4/26/2012
CHECKED	BW	5/23/2012
MFG APPR.	JL	5/12/2012
Q.A.	SG	5/23/2012

PROPRIETARY AND CONFIDENTIAL

This drawing and the information contained in the specifications are the exclusive and proprietary property of Microlap Technologies, Inc. This information and materials shall not be disclosed, divulged, reproduced, copied or used in any manner without the express written authorization of Microlap Technologies, Inc. All copies, reproductions, or other duplications of any portion of this information or materials shall include this legend.